

UV Series

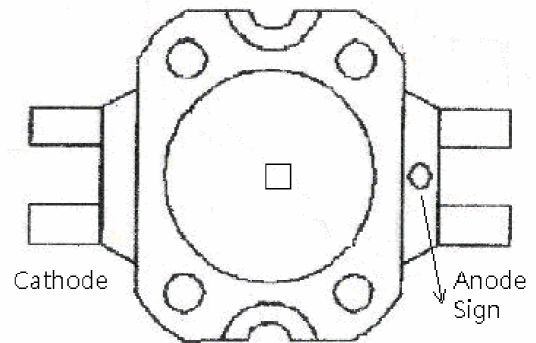
UV-365

Lead (Pb) Free Product – RoHS Compliant

Applications

- Curing
- Water/Air disinfection
- Counterfeit verification
- Leak detection
- Tanning

2. Product Aspect



Top view

3. Electrical/Optical Characteristics

Parameters	Typical	Units
Radiation Power*	200	mWatt
Peak Wavelength**	365	nm
Full Width at Half Maximum	10	nm
Forward current at 350mA	3.6	Volt
Forward current at 700mA	4	Volt
Radiation Angle	160	Degree

* Radiant Power Measurement allowance is $\pm 10\%$ and driven at 700mA

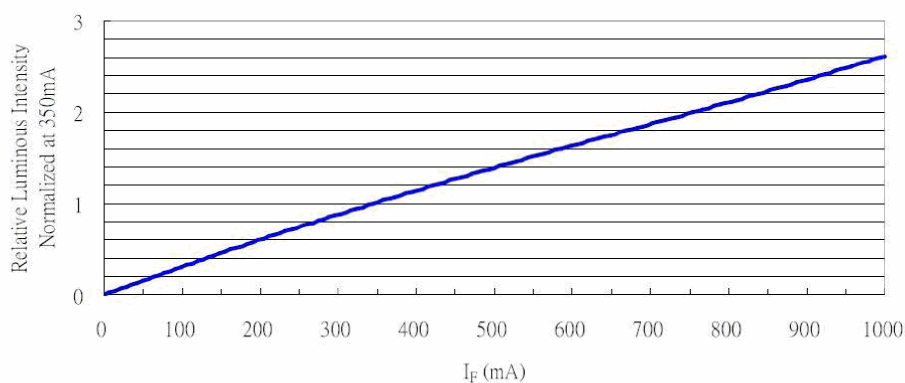
** Peak Wavelength Measurement allowance is $\pm 5\text{nm}$

4. Maximum Ratings (Ta=25°C)

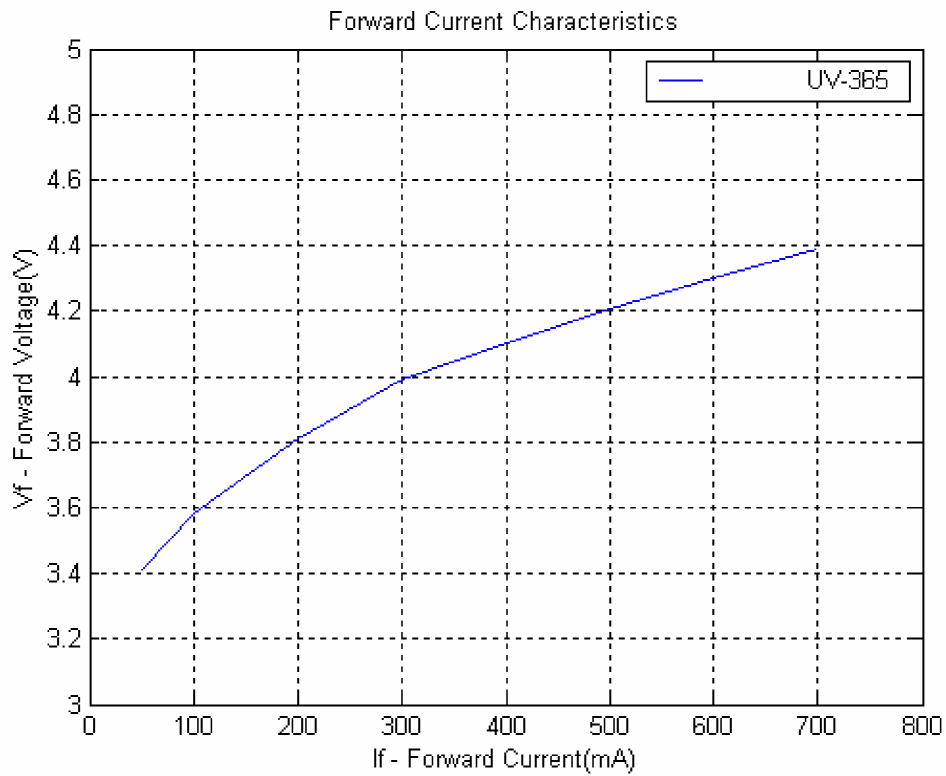
Parameters		Units
Maximum Forward Current	1000mA	mA
Peak Pulsed Forward Current	1000mA	mA
Operating Temperature	-25 ~ 85	°C
Storage Temperature	-30 ~ 100	°C
Junction Temperature	125	°C
ESD Classification	Class 2	
Soldering Temperature	280	°C

5. Characteristic Curves, Ta=25°C

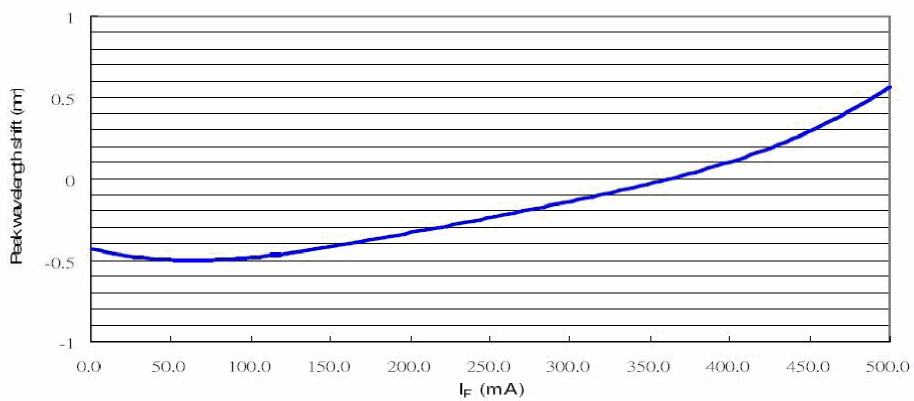
(1) Relative Luminous Intensity versus Forward Current



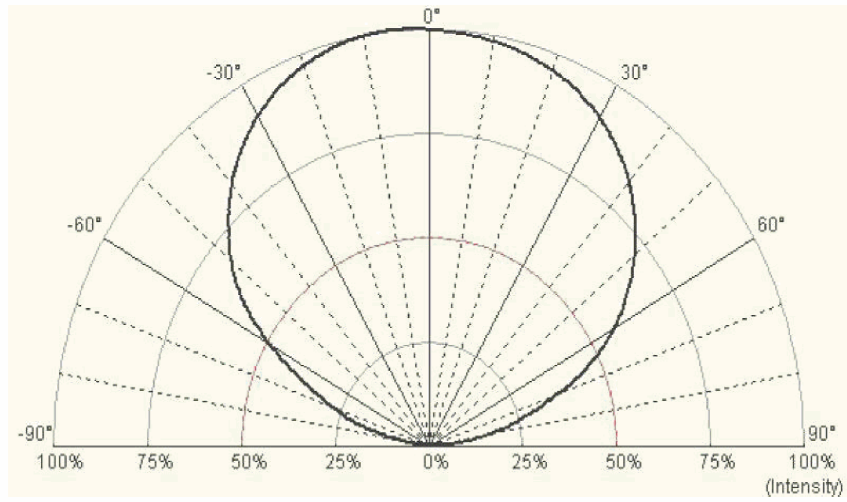
(2) Forward Current versus Forward Voltage



(3) Peak Wavelength Shift versus Forward Current



6. Radiation Pattern



50% Power Angle : 123.5 degree

7. Outline Dimensions

